



818 S. FLORES ST. ① SAN ANTONIO, TEXAS 78204 ① [www.saha.org](http://www.saha.org)

Procurement Department

### **ADDENDUM #3**

**To: RFQ# 1111-909-62-3667**  
**RFQ for Repairs at 9827 Valley Cabin**  
**Date: December 13, 2011**

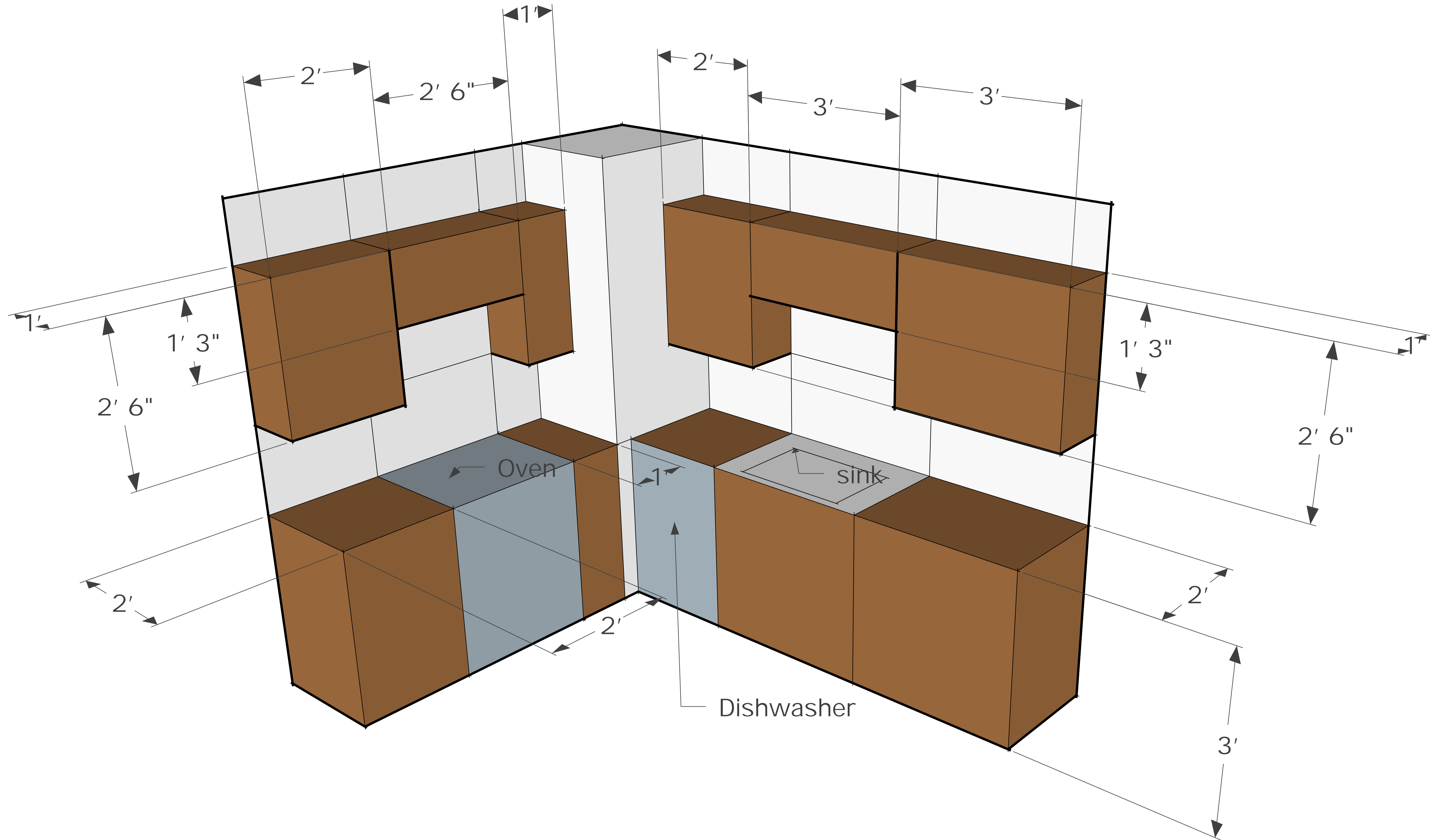
---

**Question 1: What is the measurements of the above and top cabinets as far as length and how many? A diagram of the kitchen would be so much appreciated.**

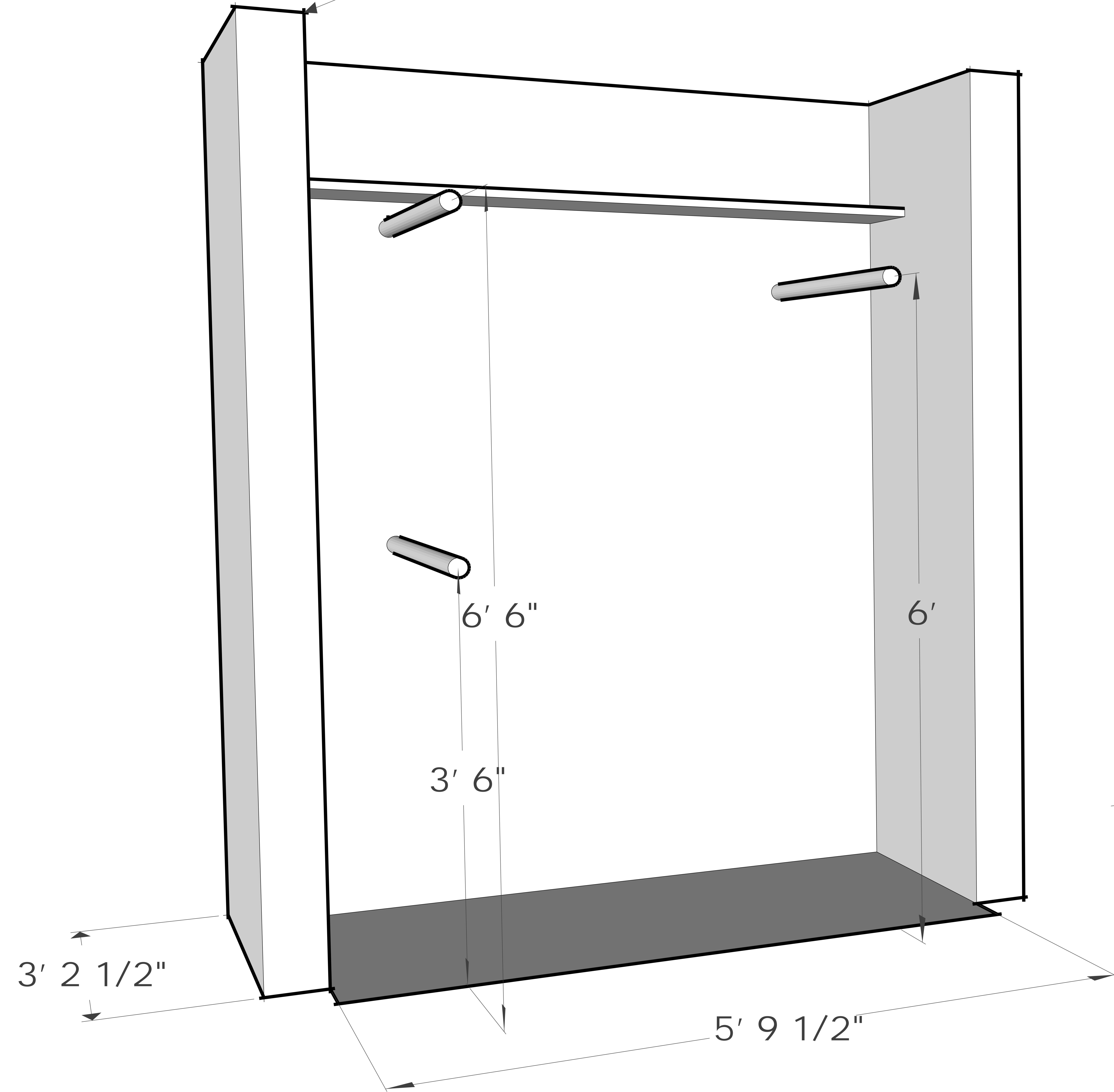
**Answer 1: The drawing is attached. A drawing of the closet is also attached.**

**By: Carl Bottoms**  
**Procurement Supervisor**

**Date: December 13, 2011**



Bedroom 2 Closet



Master Closet

